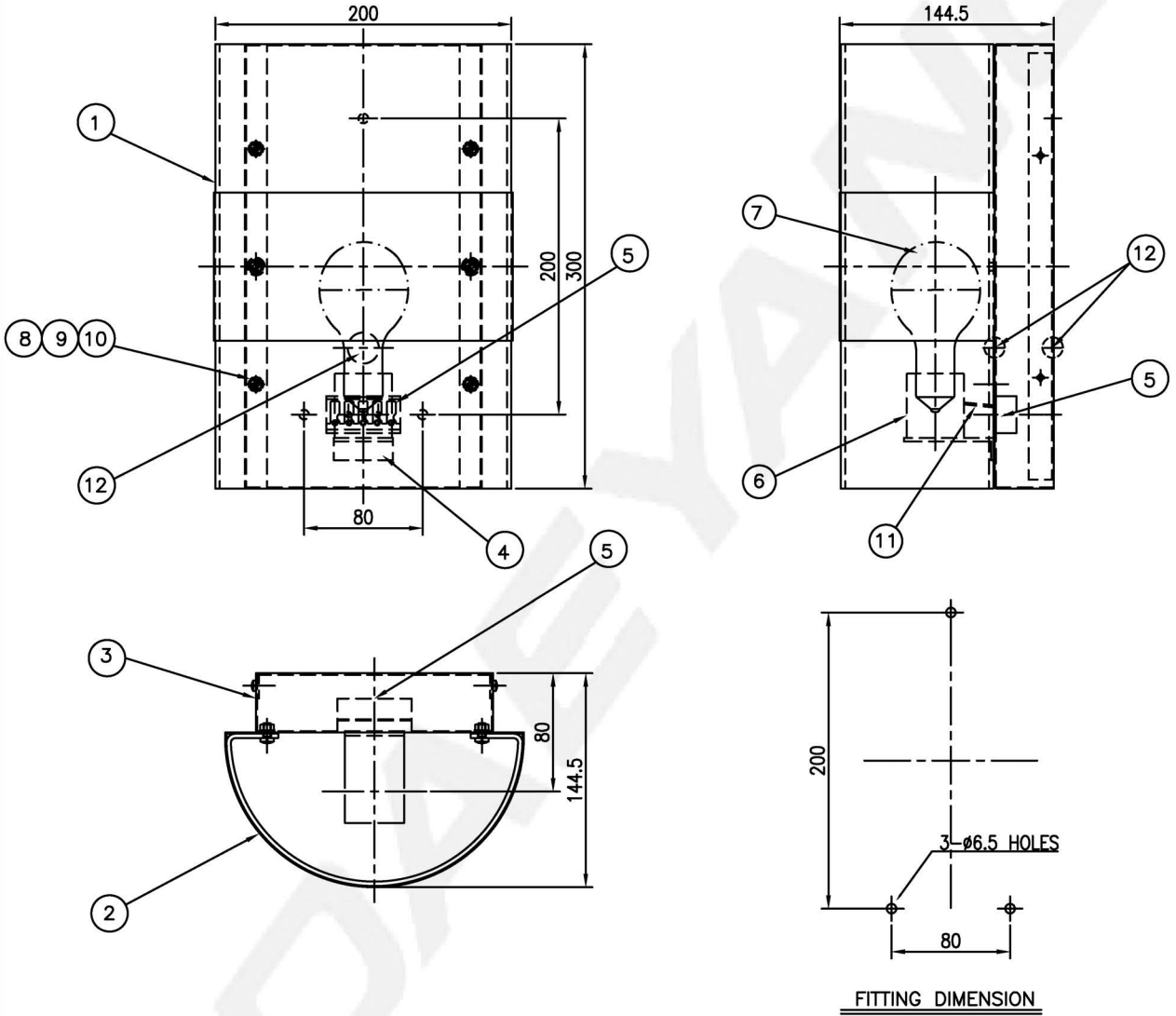


CAPACITY	SYMBOL/ SERIAL NO.	CIRCUIT DIAGRAM
AC 220~240V, 50/60Hz		
9W		



12	CABLE INLET HOLES	NYLON	2	Ø16SNAP BUSHING	6	LAMP HOLDER	-	1	TE26
11	CABLE	-	2		5	TERMINAL BLOCK	-	1	4P
10	HEX NUT	STAINLESS STEEL304	6	M5	4	LAMP HOLDER B.K.T	STEEL	1	
9	TOOTH WASHER	STAINLESS STEEL304	6	M5	3	BODY	STEEL	1	
8	SCREW	STAINLESS STEEL304	6	M5x15	2	GLOBE	ACRYL	1	
7	LED LAMP	-	1	E26	1	COVER BRACKET	STEEL	1	
NO	NAME OF PARTS	MATERIAL	Q'TY	REMARKS	NO	NAME OF PARTS	MATERIAL	Q'TY	REMARKS

APPROVED	J. W. PARK	UNIT	MM
CHECKED	S. M. SON	SCALE	N/S
DRAWING	B. K. HWANG	COLOR	N-9.3
DATE	2015.12.04	IP	20

TITLE;
LED DECORATIVE WALL LIGHT
FOR MARINE USE

	MODEL NO.	LD09-23WARC27	WEIGHT	2.5 kg
	DWG NO.	LP7440017	SHEET NO.	7